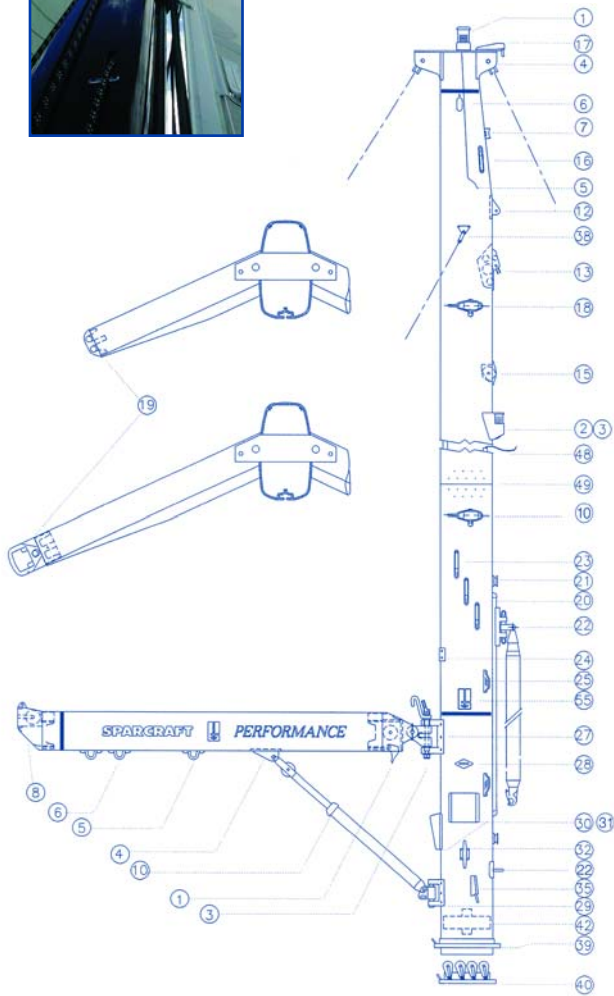




Performance line



PERFORMANCE is a range specifically design to suit the needs of the performed racing or cruising/racing riggings.



MAST

- 1 - Mast head light
- 2 - Steaming light
- 3 - Deck light
- 4 - Mast head
- 6 - Upper shrouds attachment
- 7 - 12 - Inner forestay attachment
- 13 - 7/8 forestay equipment
- 15 - Sheave box
- 16 - Internal spi (entry)
- 17 - External spi attachment
- 18-10 - Spreaders set
- 19 - Spreaders tips
- 20 - Spinnaker track
- 21 - Spi track block
- 22 - Spi equipment
- 23 - Halyard exits
- 24 - Sail gate
- 25 - Clam-cleat
- 27 - Gooseneck attachment
- 28 - Pad eyes
- 29 - Articulated kicker
- 30-31 - Winch pads
- 32 - Cleats
- 22 - Pad eyes
- 7 - lead
- 38 - External tangs
- 39 - Deck collar
- 40 - Mast step
- 42 - Internal water-proofing
- 48 - Electrical conduits and wires
- 49 - Internal splices
- 53 - Blocks
- 55 - Stickers

Mast fitting

BOOM

- 1 - Inboard end
- 3 - Complete gooseneck
- 4 - Kicker attachment
- 5 - Main sheet attachment
- 6 - Reefs attachment
- 8 - Outboard end
- 10 - Rod kicker

1 - POLE

■ Dimensions (en mm)
 ■ IX' (Cm4)
 ■ IY' (Cm4)
 ■ Weight (Kg/M)

F78	80 x121	78	165	2,65
F135	90 x140	135	400	3,67
F195	98 x160	190	580	4,66
F305	104 x188	305	940	5,40
F385	110 x202	380	1050	5,99
F460	116 x215	460	1375	7,06
S622	130 x234	622	1913	7,65
S830	140 x255	844	2638	9,03
F1060	144 x264	1060	3250	9,94
F1395	155 x285	1395	4250	11,44
S2100	180 x328	2082	6252	13
F2390	185 x315	2410	6750	14,19
F3360	205 x340	3405	8760	16,32
F4600	223 x400	4440	12600	18,00



- Efficient riggings
- A full range of standard & optional parts
- Aluminium & composite



Gamme Performance line **SPARCRAFT**

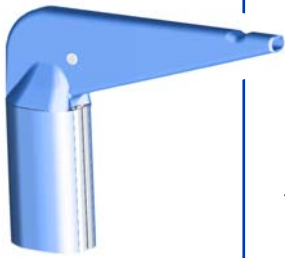
www.sparcraft.com

Performance sections



■ The sections of the Performance line are available for racing or fast cruising for boats up to 72 feet.

Mastheads



■ Different models are available according to your sailing needs : fractional or mast head rig, extruded, tapered or non. There are several sheave options.



Spreaders

■ The spreader sections are profiled and the spreader roots are specially designed for rigging with emphasis on loads and high stability.



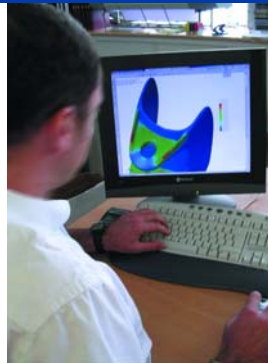
Equipment

■ More than 12,000 Sparcraft parts are available to meet your needs : cleats, winch pads, spinnaker gear, tips or thru-bars of spreaders...



Performance Design

■ The profile and functions of the mast parts are optimized in the design. The Performance range takes into account the specifications of racing type rigging: weight, strain, performance and aerodynamics...



Fabrication / Manufacturing

■ We use the most recent techniques in aluminium and carbon manufacturing to develop your products to perfection.



Garantie / Warranty

■ All our products have a one year warranty.

Performance Reference

■ Mass series are equipped with "Performance" Line : Dufour, Delhler, Elan, First, Grand Soleil, Jboat, Sunbeam, X-Yacht, Sunfast, Multihulls,...



Your SPARCRAFT agent

SPARCRAFT Performance Engineering