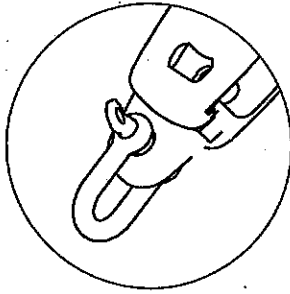


Snatch block with shackle

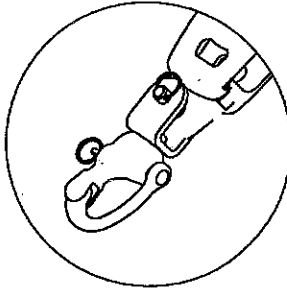
size 40 - Mod 9040/SH
size 60 - Mod 9060/SH



316 shackle is included

Snatch block with snap shackle

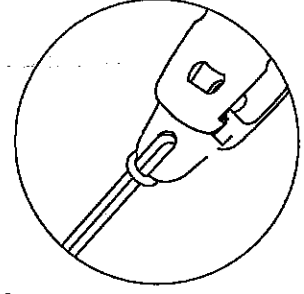
size 40 - Mod 9040/SN
size 60 - Mod 9060/SN



HR wichards snap shackle is included

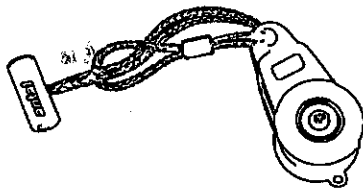
Snatch block for lashing

size 40 - Mod 9040
size 60 - Mod 9060



suitable for a standing lashing with a thin dyneema line (not included)

Snatch block with snap loop



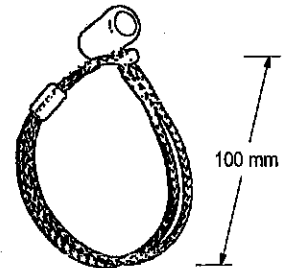
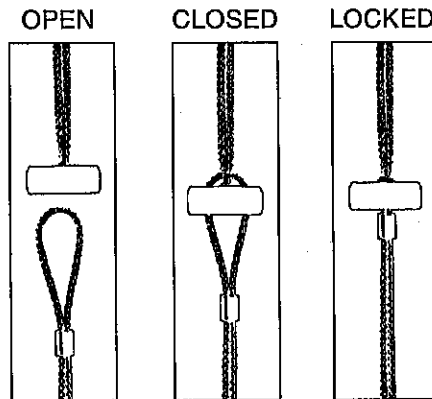
size 40 - mod. 9040/SL
snatch block mod 9040
with snap loop mod. SL4S
4mm dyneema SWL= 600 kg

size 60 - mod. 9060/SL
snatch block mod 9060
with snap loop mod. SL5S
5mm dyneema SWL= 1000 kg

Antal snap loop

It's a dyneema loop that can be opened/closed with an easy and safe lock system.

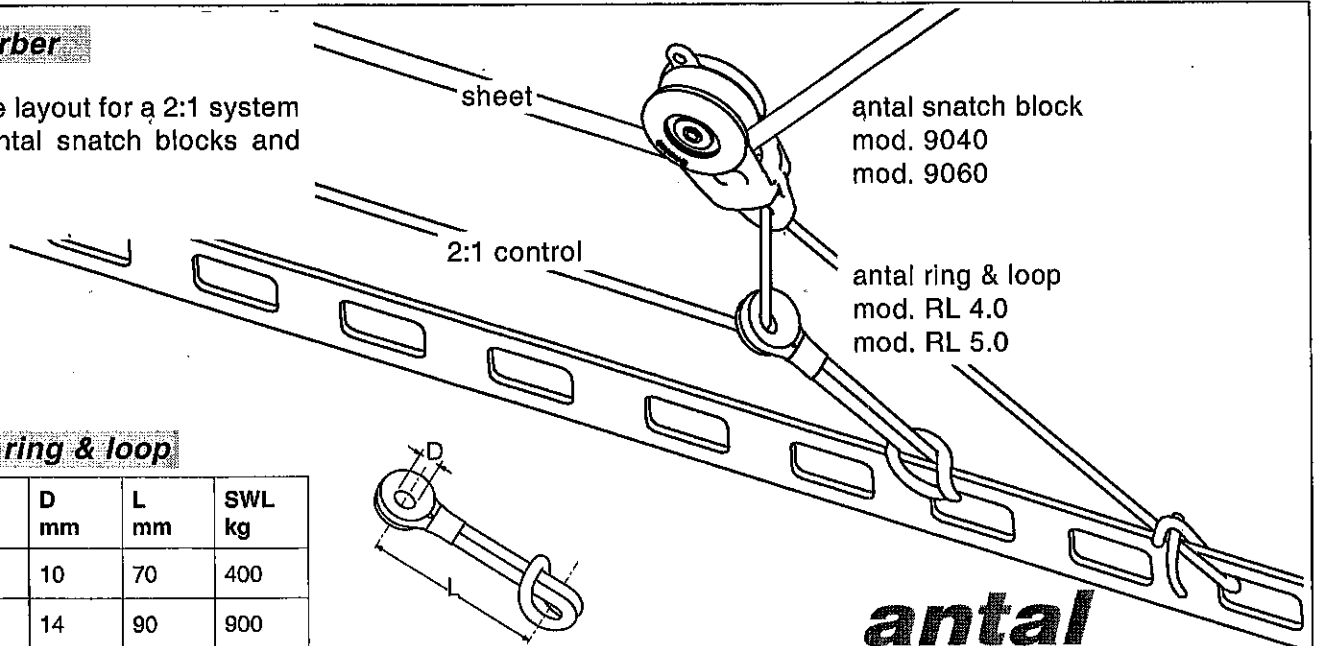
!! Protect the loop from abrasion avoid rough surfaces and sharp edges.



4 and 5 mm dyneema lines, different lengths available on request.

2:1 Barber

A simple layout for a 2:1 system using antal snatch blocks and rings.



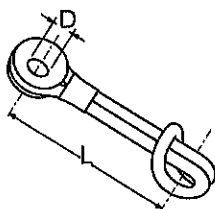
antal snatch block
mod. 9040
mod. 9060

antal ring & loop
mod. RL 4.0
mod. RL 5.0

antal

antal ring & loop

Model	D mm	L mm	SWL kg
RL4.0	10	70	400
RL5.0	14	90	900



antal - snatch blocks

The cheekplate revolves around the sheave axle allowing the block to open; a safety ball stops the block from opening with an adjustable screw to set the ball on locked position.

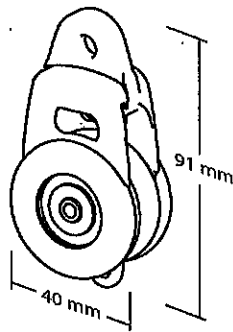
There is a becket for the "hanging line".

MATERIAL: sheave with composite fibre main bearing and double side ball bearing. Hard anodized aluminium cheekplates with side rubber protections (yellow rubber on the revolving cheekplate).

size 40

Mod.9040

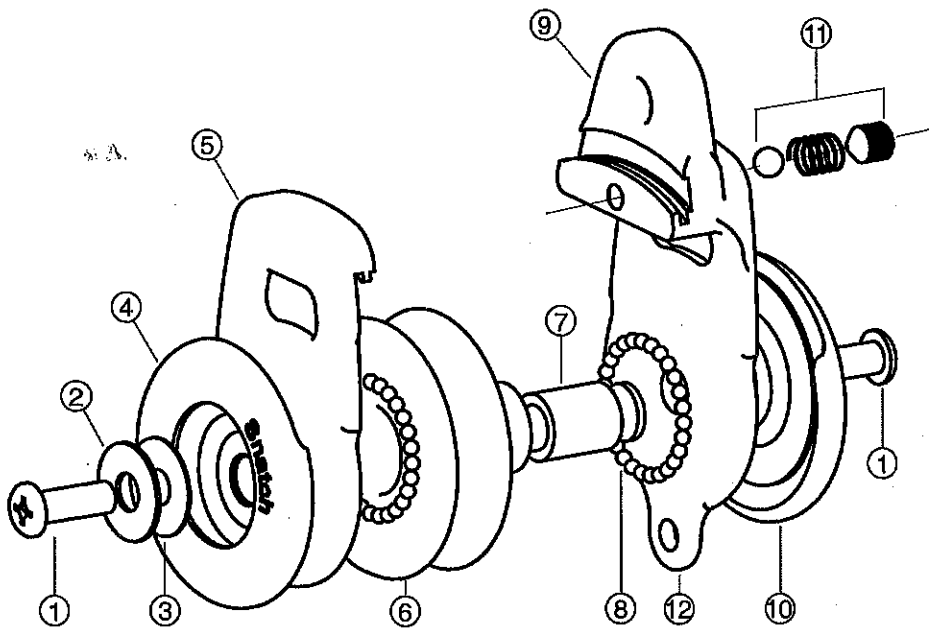
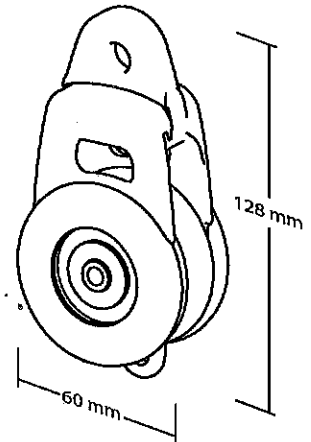
diameter 40 mm for 12 mm lines.
safe working load 700 kg,
weight 110 gr.



size 60

Mod.9060

diameter 60 mm for 14 mm lines.
safe working load 1300 kg,
weight 260 gr.



part list

- 1 - screw
- 2 - s.steel washer
- 3 - fibre washer
- 4 - rubber protection (yellow)
- 5 - revolving cheek plates
- 6 - sheave
- 7 - steel hub
- 8 - side ball bearing
- 9 - main cheek plate
- 10 - rubber protection (black)
- 11 - adjusting screw
(fully tighten to lock the opening)
- 12 - becket for an hanging line

antal

antal

Via del Progresso, 10
35127 - Padova - Italy

Tel. 049 8702655 - 8701265
Fax 049 760906

www.antal.it - antal@antal.it

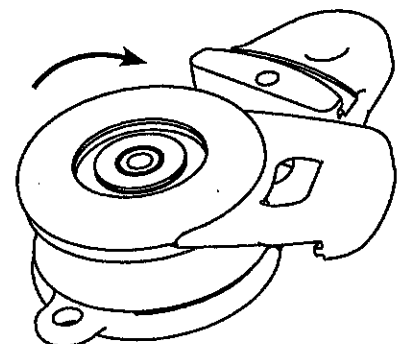
snatch block size 60

Mod. 9060

60 mm sheave
for 14 mm line



made in italy



SNATCH BLOCKS